

The OKI 2000 submersible aerator mixer is a heavy-duty device suitable for applications in the continuous and/or intermittent aeration of both municipal and industrial wastewater. It can withstand many harsh types of wastewater with no performance degradation and will tackle intermittent process problems better than most alternatives.

In the OKI compressed air is distributed through a flexible hose down to the machine. Air enters through the stator and is passed on to the rotating rotor. The hollow rotor wings let air out at the tips. As the rotor sucks water from underneath the machine bubbles of air disperse into the water passing the wing tips. The aerated water exits the machine through the stator tubes ensuring even water and air distribution all around the basin. The low speed rotation ensures that flocks are maintained. The turbulence at the tip of the rotor blades enables high oxygen transfer.

## Features

- Adjustable oxygen transfer
- Superb pumping capacity
- Good anti-clogging performance
- Good corrosion resistance
- Steady alpha factor
- Lifetime sustainable high-aeration efficiency
- Especially suited for heavy-duty and intermittent processes
- Easy and quick installation without emptying the tank
- Lifiable for easy maintenance
- Maintenance interval 3 years
- No air cooling in deep tanks
- Usually delivered complete including suitable air hose, lifting cable and electrical cables making installation safe and easy

The OKI 2000 submersible aerator mixer series is a natural choice for industrial and municipal applications. The high-quality gear motor guarantees performance and long lasting operational life minimizing the maintenance costs.

## Product range

All 4 OKI 2000 models have the same size rotors, stators and frames. Motor power and gear ratio varies. All models are for both aerating and mixing.

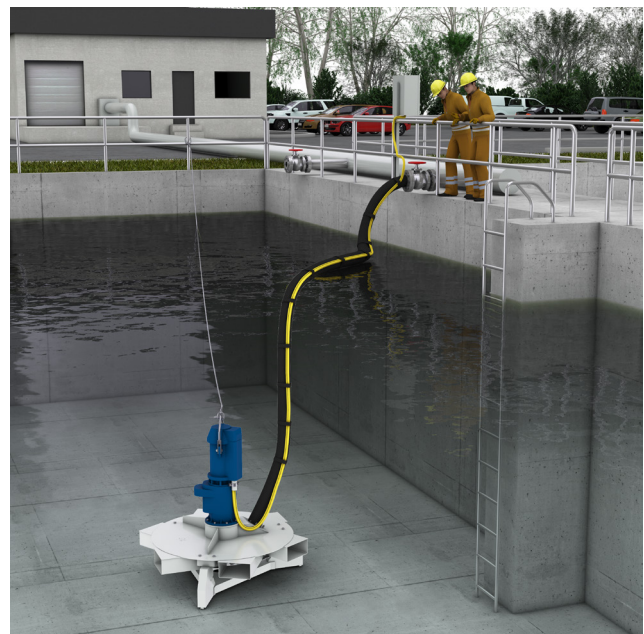
Model	AM
2000 C	15
2000 C	22
2000 E	30
2000 E	37

Example: **OKI 2000E-37AM**

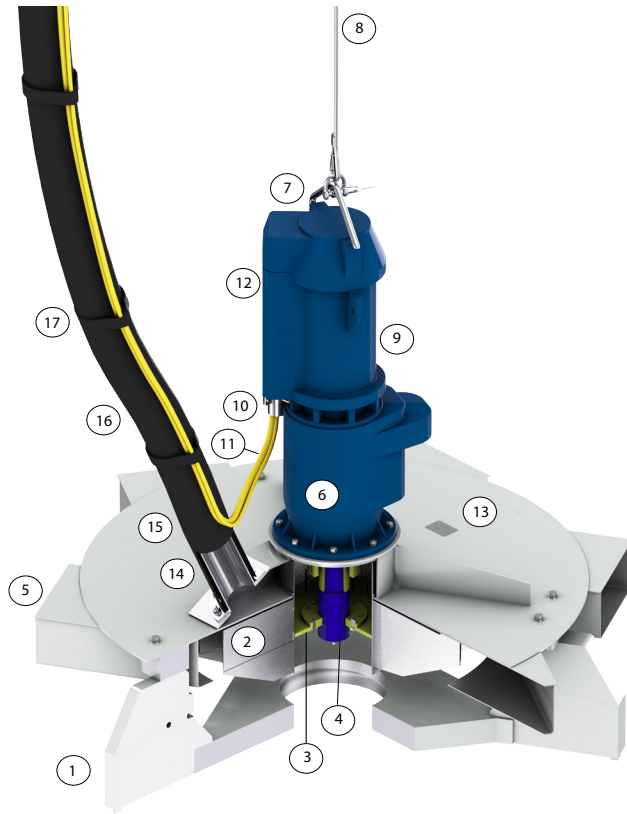
- 2** design of the stator & rotor  
(1 for OKI 1000 series and 2 for OKI 2000 series)
- E** design of gear
- 37** rated power of the motor is 37 kW
- AM** aerator + mixer (mixing without air at high speed)



## Installation example



## Components and materials



	Description	(Main)Material
1	Frame	Fe37B, epoxy-painted
2	Rotor	AISI 316
3	Rotor support	AISI 316
4	Rotor screw	AISI 316
5	Stator and stator ducts	AISI 316
6	Heavy-duty shaft seal	AISI 316
7	Lifting bail	AISI 316
8	Lifting cable	AISI 316
9	Drive unit (gearmotor)	Cast iron, epoxy-painted
10	Cable support	AISI 316
11	Cables	Neoprene rubber sheath
12	Airlock	Resin
13	Nameplate	AISI 316
14	Hose flange (with seal)	AISI 316
15	Hose clamps	AISI 316
16	Process air hose	EPDM (reinforced)
17	Hose straps	EPDM

## Technical specification

	OKI 2000C-15 AM	OKI 2000C-22 AM	OKI 2000E-30 AM	OKI 2000E-37 AM
Protection type	IP68	IP68	IP68	IP68
Standard voltage <sup>1)</sup>	400 V / 50 Hz	400 V / 50 Hz	400 V / 50 Hz	400 V / 50 Hz
Temperature control	Thermal switch 130°C	Thermal switch 130°C	Thermal switch 130°C	Thermal switch 130°C
Main dimensions [mm] (length x depth x height)	2045x2252x2075	2045x2252x2075	2045x2252x2195	2045x2252x2195
Unit weight [kg] <sup>2)</sup>	1930	1960	2070	2070
Installation depth [m] <sup>3)</sup>	4-12	4-12	4-12	4-12
SOTR [kg O <sub>2</sub> / h] <sup>4)</sup>	0-260	0-330	0-370	0-410
Air flow rate [m <sup>3</sup> / min, 20°C] <sup>3)</sup>	0-36	0-47	0-53	0-60

<sup>1)</sup> Other options for 50 Hz: 230 V, 380 V, 415 V, 500 V, 660 V and 690 V. Also available for 60 Hz: 230 V, 440 V, 460 V and 575 V.

<sup>2)</sup> Without accessories

<sup>3)</sup> For less than 4 m or more than 12 m installation depth, please contact your local sales representative.

<sup>4)</sup> Depends on installation depth